

Phase 0
(today)

Phase 1
Full Go
"crypto/tls"
support

Phase 2
Full Go "net"
support

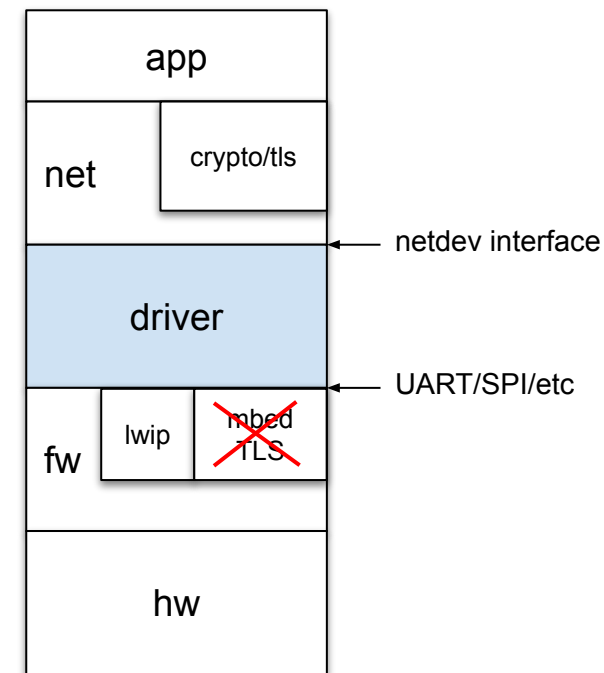
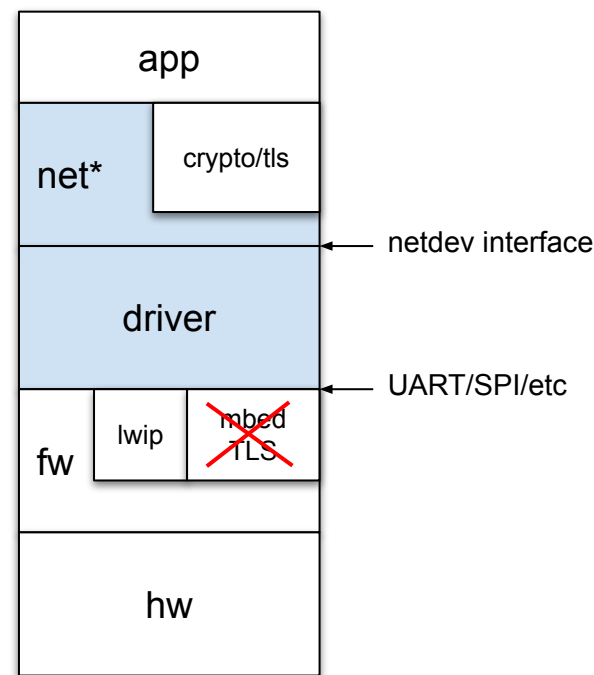
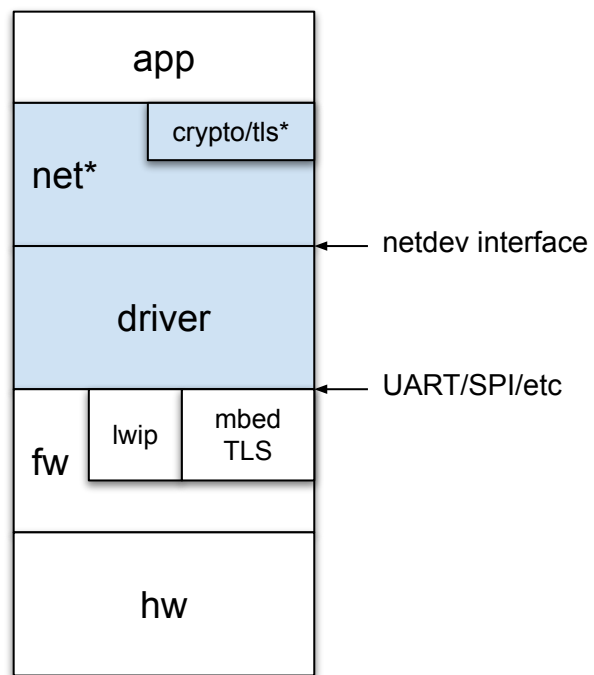
Model 1

TCP/IP stack in HW/FW

Drivers:

wifinina
rtl8720dn
espat
ch9120 (TBD)

* modified Go package



Model 2

TCP/IP stack in SW

Drivers:

cyw43
lan8720 (TBD)
esp32 (TBD)
enc28j60 (TBD)

