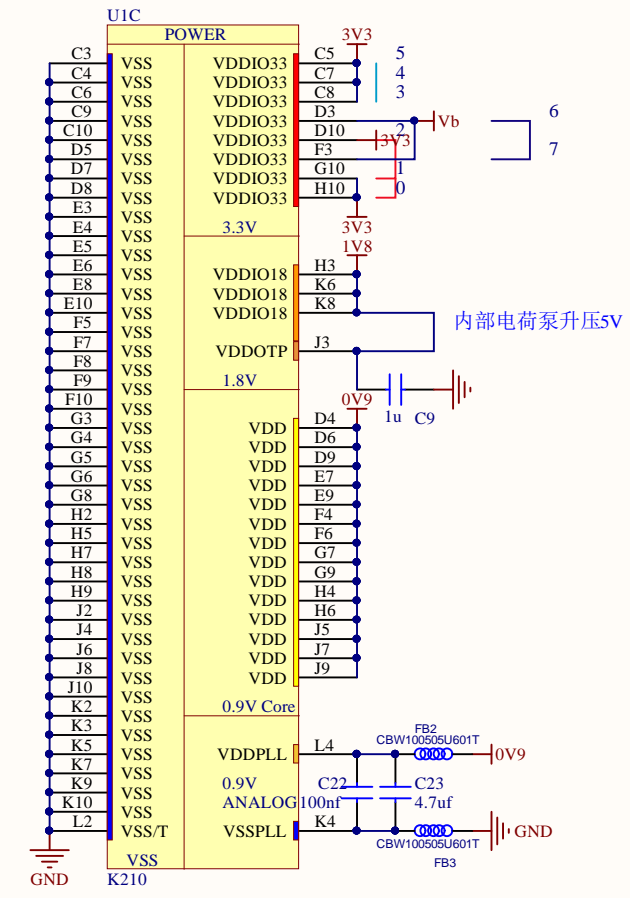
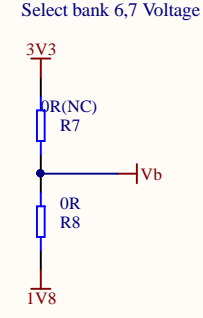
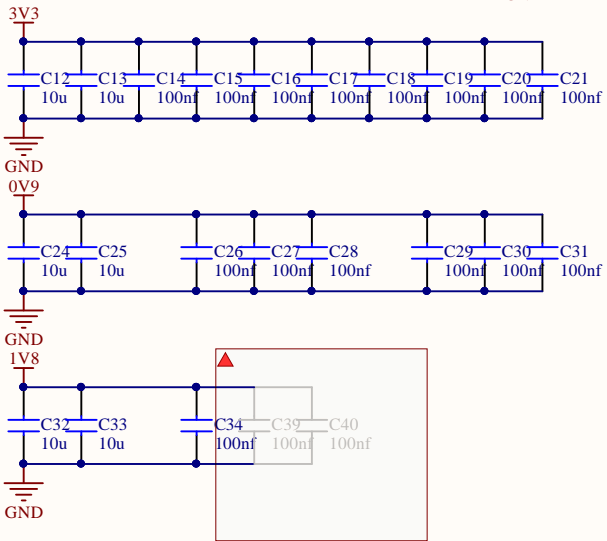
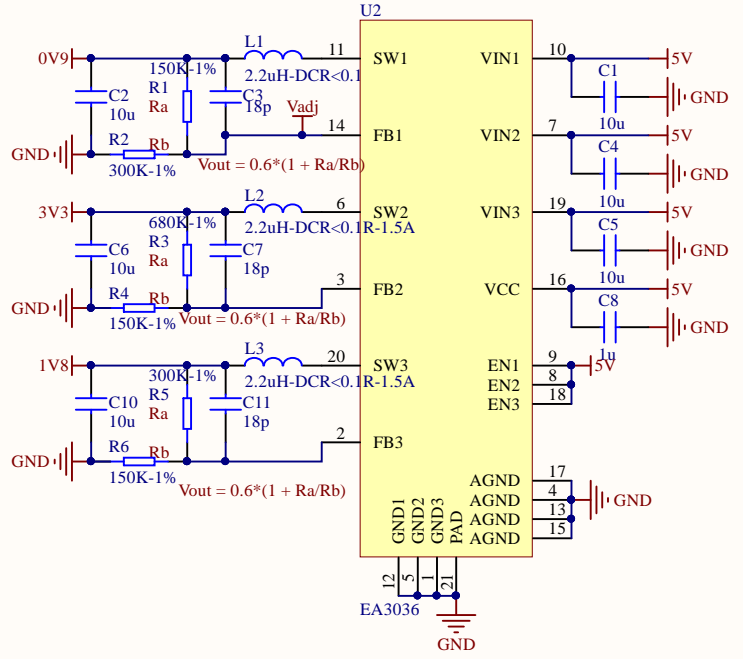
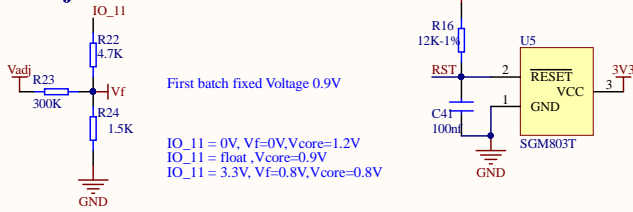


DCDC&LDO

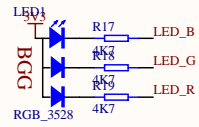


Title		
Size	Number	Revision
A4		
Date:	2019-01-02	Sheet of
File:	E:\嵌入式\MAIX\MAIX Bit\power.SchDDrawn By:	

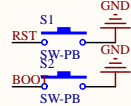
Adjust Vcore



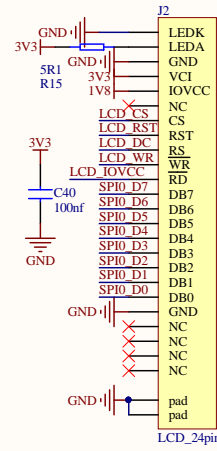
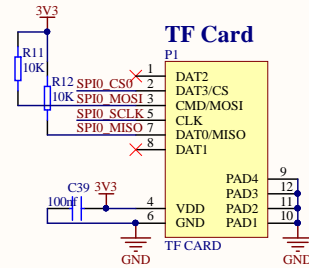
RGB LED



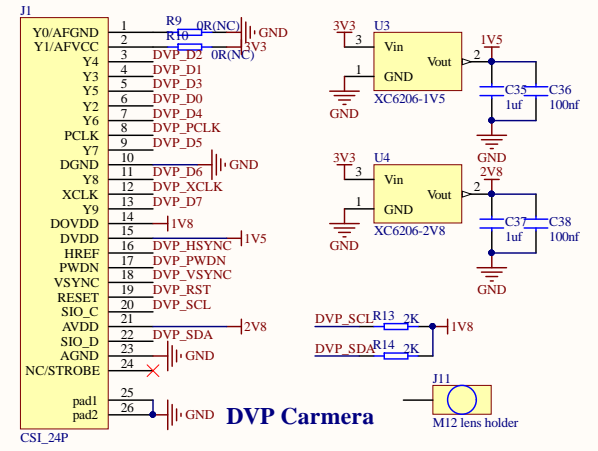
KEY



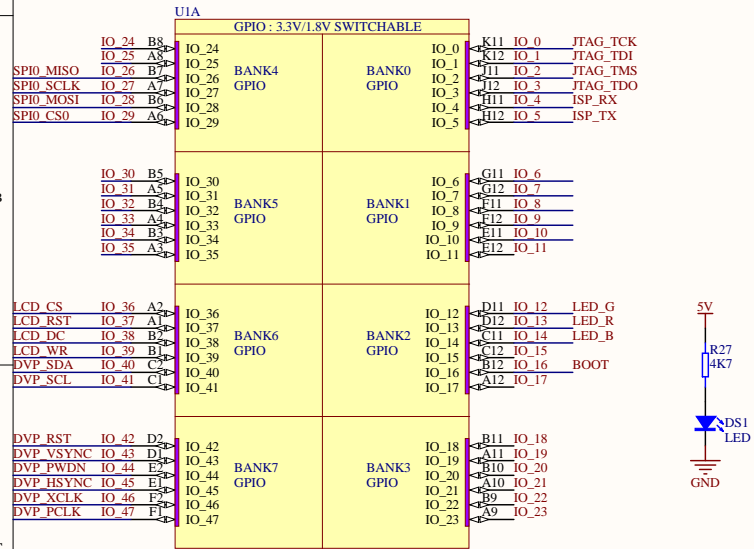
TF Card



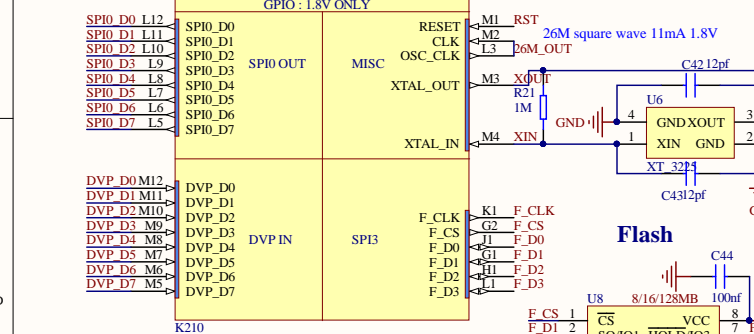
8bit MCU LCD



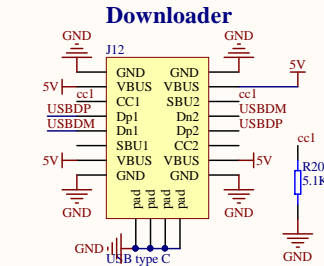
DVP Camera



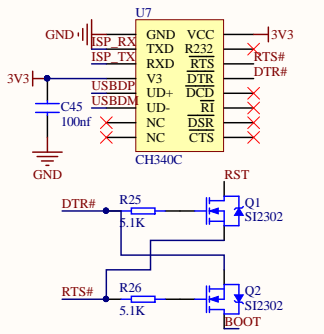
Core System



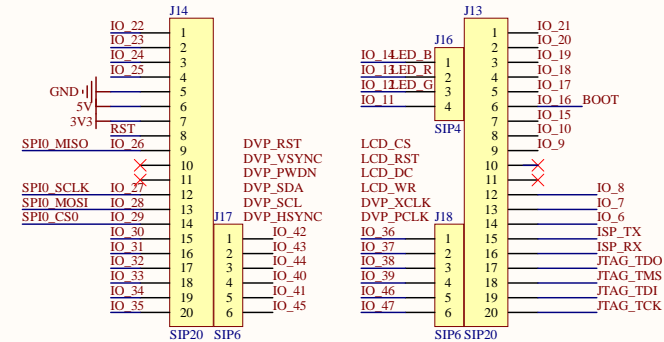
Flash



Downloader



Pin Out



Note:

BOOT(IO16) pull low to enter ISP mode, download from IO4,5
 SPI3 Support XIP, SPI0/1/3 for Master, SPI2 for slave
 3.3V IO speed 80M, 1.8V IO speed 208M. Simple test PWM is faster than 300MHz.

Title *			
Size: B	Number:*	Revision:*	
Date: 2019-01-02	Time: 18:04:15	Sheet* of *	
File: 嵌入式/MAIX/MAIX Bitsys.SchDoc			