

Template for Reporting Results of Biomarker Testing of Specimens From Patients With Carcinoma of the Breast

Template web posting date: December 2014

Authors

Patrick L. Fitzgibbons, MD, FCAP

Department of Pathology, St. Jude Medical Center, Fullerton, CA

Deborah A. Dillon, MD

Department of Pathology, Brigham and Women's Hospital, Boston, MA

Randa Alsabeh, MD, FCAP

Department of Pathology, Kaiser Permanente - Los Angeles Medical Center, Los Angeles, CA

Michael A. Berman, MD, FCAP

Department of Pathology, Jefferson Hospital, Jefferson Hills, PA

Daniel F. Hayes, MD

University of Michigan Comprehensive Cancer Center, Ann Arbor, MI

David G. Hicks, MD, FCAP

Department of Pathology and Laboratory Medicine, University of Rochester Medical Center,
Rochester, NY

Kevin S. Hughes, MD, FACS

Division of Surgical Oncology, Massachusetts General Hospital, Boston, MA

Sharon Nofech-Mozes, MD

Department of Anatomic Pathology, Sunnybrook Health Sciences Centre, University of Toronto,
Toronto, ON

For the Members of the Cancer Biomarker Reporting Committee, College of American Pathologists

Acknowledgements

Susan C. Lester, MD, PhD, FCAP (previous lead contributor to CAP breast cancer protocols)

Department of Pathology, Brigham and Women's Hospital, Boston, MA

Margaret B. Adamo, BS, RHIT, AAS

Surveillance Research Program, Division of Cancer Control and Population Sciences, National
Cancer Institute, National Institutes of Health, Bethesda, MD

© 2014 College of American Pathologists (CAP). All rights reserved.

The College does not permit reproduction of any substantial portion of these templates without its written authorization. The College hereby authorizes use of these templates by physicians and other health care providers in reporting results of biomarker testing on patient specimens, in teaching, and in carrying out medical research for nonprofit purposes. This authorization does not extend to reproduction or other use of any substantial portion of these templates for commercial purposes without the written consent of the College.

The CAP also authorizes physicians and other health care practitioners to make modified versions of the templates solely for their individual use in reporting results of biomarker testing for individual patients, teaching, and carrying out medical research for non-profit purposes.

The CAP further authorizes the following uses by physicians and other health care practitioners, in reporting on surgical specimens for individual patients, in teaching, and in carrying out medical research for non-profit purposes: (1) **Dictation** from the original or modified templates for the purposes of creating a text-based patient record on paper, or in a word processing document; (2) **Copying** from the original or modified templates into a text-based patient record on paper, or in a word processing document; (3) The use of a **computerized system** for items (1) and (2), provided that the template data is stored intact as a single text-based document, and is not stored as multiple discrete data fields.

Other than uses (1), (2), and (3) above, the CAP does not authorize any use of the templates in electronic medical records systems, pathology informatics systems, cancer registry computer systems, computerized databases, mappings between coding works, or any computerized system without a written license from the CAP.

Any public dissemination of the original or modified templates is prohibited without a written license from the CAP.

The College of American Pathologists offers these templates to assist pathologists in providing clinically useful and relevant information when reporting results of biomarker testing. The College regards the reporting elements in the templates as important elements of the biomarker test report, but the manner in which these elements are reported is at the discretion of each specific pathologist, taking into account clinician preferences, institutional policies, and individual practice.

The College developed these templates as educational tools to assist pathologists in the useful reporting of relevant information. It did not issue them for use in litigation, reimbursement, or other contexts. Nevertheless, the College recognizes that the templates might be used by hospitals, attorneys, payers, and others. The College cautions that use of the templates other than for their intended educational purpose may involve additional considerations that are beyond the scope of this document.

The inclusion of a product name or service in a CAP publication should not be construed as an endorsement of such product or service, nor is failure to include the name of a product or service to be construed as disapproval.

CAP Breast Biomarkers Template Revision History

Version Code

The definition of the version code can be found at www.cap.org/cancerprotocols.

Version: BreastBiomarkers 1.1.0.0

Summary of Changes

RESULTS

Estrogen Receptor (ER) Status

Progesterone Receptor (PgR) Status

Reporting percentage of cells with nuclear positivity was changed to include reporting of ranges. Additional reporting elements were added to negative and indeterminate results.

Cold Ischemia and Fixation Times Meet the Requirements Specified in the Latest Version of the ASCO/CAP Guidelines

Added reporting of "Cannot be determined."
Changed question and answer wording.

METHODS

Progesterone Receptor

Ki-67

Primary Antibody

Additional antibodies were added.

Breast Biomarker Reporting Template

Template web posting date: December 2014

Completion of the template is the responsibility of the laboratory performing the biomarker testing and/or providing the interpretation. When both testing and interpretation are performed elsewhere (eg, a reference laboratory), synoptic reporting of the results by the laboratory submitting the tissue for testing is also encouraged to ensure that all information is included in the patient's medical record and thus readily available to the treating clinical team.

BREAST

Select a single response unless otherwise indicated.

Note: Required elements in this template comply with the most recent versions of the American Society of Clinical Oncology/College of American Pathologists (ASCO/CAP) guidelines on HER2 and hormone receptor testing. **Reporting elements are required only if applicable and only for tests performed.** If some studies were performed on different specimen(s), the specimen number(s) should be provided.

RESULTS

Estrogen Receptor (ER) Status (Note A)

Positive

Percentage of cells with nuclear positivity#

Specify: %

-OR-

Range (Note A)

1-10% (specify): %#

11-20%

21-30%

31-40%

41-50%

51-60%

61-70%

71-80%

81-90%

91-100%

+ Average intensity of staining:

+ Weak

+ Moderate

+ Strong

Negative

Internal control cells present and stain as expected

Internal control cells absent##

Other (specify): _____

Cannot be determined (indeterminate)###

Internal control cells present; no immunoreactivity of either tumor cells or internal controls

Other (specify): _____

+ Data elements preceded by this symbol are not required.

Progesterone Receptor (PgR) Status (Note A)

___ Positive

Percentage of cells with nuclear positivity[#]

Specify: ___ %

-OR-

Range (Note A)

___ 1-10% (specify): ___ %[#]

___ 11-20%

___ 21-30%

___ 31-40%

___ 41-50%

___ 51-60%

___ 61-70%

___ 71-80%

___ 81-90%

___ 91-100%

+ Average intensity of staining:

+ ___ Weak

+ ___ Moderate

+ ___ Strong

___ Negative

___ Internal control cells present and stain as expected

___ Internal control cells absent^{##}

___ Other (specify): _____

___ Cannot be determined (indeterminate)^{###}

___ Internal control cells present; no immunoreactivity of either tumor cells or internal controls

___ Other (specify): _____

[#] Percentage of cells with nuclear positivity may be reported as a specific number or a range if more than 10%.^{##} When a tumor is negative but no internal control cells are present, the pathologist must exercise judgment as to whether the assay can be interpreted as a true negative. This should include consideration of histologic type and grade, cold ischemia and fixation times, and the status of external controls. If the pathologist decides that hormone receptor status cannot be determined, the test should be reported as such and repeated on another block or specimen.^{###} Technical issues prevent the test from being reported as positive, negative, or equivocal. This may occur if specimen handling was inadequate, if artifacts (crush or edge artifacts) make interpretation difficult, or if the analytic testing failed.**HER2 (by immunohistochemistry) (Note B)**

___ Negative (Score 0)

___ Negative (Score 1+)

___ Equivocal (Score 2+)

___ Positive (Score 3+)

___ Cannot be determined (indeterminate) (explain): _____

___ Not performed

Percentage of cells with uniform intense complete membrane staining: ___ %

HER2 (ERBB2) (by in situ hybridization) (Note B)

- Negative (not amplified)
 Equivocal
 Positive (amplified)
 Cannot be determined (indeterminate) (explain): _____
 Not performed
 Pending

Number of observers: _____

Number of invasive tumor cells counted: _____

- Dual probe assay
 Average number of *HER2* signals per cell: _____
 Average number of *CEP17* signals per cell: _____
 HER2/CEP17 ratio: _____
 Single probe assay
 Average number of *HER2* signals per cell: _____

+ Aneusomy (as defined by vendor kit used):

- Not identified
 Present

+ Heterogeneous signals:

- Not identified
 Present

+ Percentage of cells with amplified *HER2* signals: _____ %**+ Ki-67 (Note C)**

+ Percentage of positive nuclei: _____ %

+ Multiparameter Gene Expression/Protein Expression Assay (Note D)

- + Name of assay: _____
 + Low risk
 + Moderate risk
 + High risk
 + Recurrence score: _____

Cold Ischemia and Fixation Times

- Meet requirements specified in latest version of the ASCO/CAP guidelines
 Do not meet requirements specified in latest version of the ASCO/CAP guidelines
 Cannot be determined (explain): _____

METHODS+ **Testing Performed on Block Number(s):** _____**Fixative**

- Formalin
 Other (specify): _____

Estrogen Receptor (required for US-based laboratories)

- Food and Drug Administration (FDA) cleared (specify test/vendor): _____
 Laboratory-developed test

Primary Antibody

- SP1
- 6F11
- 1D5
- Other (specify): _____

Progesterone Receptor (required for US-based laboratories)

- FDA cleared (specify test/vendor): _____
- Laboratory-developed test

Primary Antibody

- 1E2
- 636
- 16
- SP2
- 1A6
- 1294
- 312
- Other (specify): _____

+ ER and PgR Scoring System

- + No separate scoring system used
- + Allred
 - + Proportion score: _____
 - + Intensity score: _____
 - + Total Allred score: _____
- + Other (specify): _____

HER2 (by immunohistochemistry) (required for US-based laboratories)

- FDA approved (specify test/vendor): _____
- Laboratory-developed test

Primary Antibody

- 4B5
- HercepTest
- A0485
- SP3
- CB11
- Other (specify): _____

HER2 (ERBB2) (by in situ hybridization) (required for US-based laboratories)

- FDA approved (specify test/vendor): _____
- Laboratory-developed test

+ Ki-67

+ Primary Antibody

+ ___ MIB1

+ ___ SP6

+ ___ MM1

+ ___ 30-9

+ ___ IR/IS626

+ ___ Other (specify): _____

+ Image Analysis

+___ Not performed

+___ Performed (specify method): _____

+ Biomarkers Scored by Image Analysis (select all that apply)

+ ___ ER

+ ___ PgR

+ ___ HER2 by IHC

+ ___ HER2 (*ERBB2*) by ISH

+ ___ Ki-67

+ ___ Other (specify): _____

+ COMMENT(S)

Note: Time to fixation (cold ischemia time) and time of fixation are required elements but may be reported in this template or in the original pathology report.

Explanatory Notes

It is recommended that hormone receptor and HER2 testing be done on all primary invasive breast carcinomas and on recurrent or metastatic tumors.¹⁻⁴ If hormone receptors and HER2 are both negative on a core biopsy, repeat testing on a subsequent specimen should be considered, particularly when the results are discordant with the histopathologic findings. When multiple invasive foci are present, the largest invasive focus should be tested. Testing smaller invasive carcinomas is also recommended if they are of different histologic type or higher grade. Other biomarker tests (eg, Ki-67 or multigene expression assays) are optional and are not currently recommended for all carcinomas. Fresh tissue should not be used for special studies (eg, RNA expression profiling or investigational studies) unless the invasive carcinoma is of sufficient size that histologic evaluation and ER, PgR, and HER2 assessment will not be compromised.

Guidelines published by the American Society of Clinical Oncology (ASCO) and the College of American Pathologists (CAP) require recording specific preanalytic and analytic variables that can affect test results.⁵⁻⁷ Such variables include:

- Cold ischemia time (time between tissue removal and initiation of fixation) *and* time of fixation. Alternatively, laboratories may record the time the specimen was removed from the patient and the time the specimen was placed in formalin.
- Type of fixative, if other than buffered formalin
- Treatment of the tissue that could potentially alter immunoreactivity (eg, decalcification)⁸
- Status of controls:
 - Internal – normal epithelial cells positive or negative for ER and PgR
 - External – type and expected level of expression
- Adequacy of sample for evaluation
- Primary antibody clone
- Regulatory status (FDA cleared versus laboratory-developed test)

Information regarding assay validation or verification should be available in the laboratory. Any deviation(s) from the laboratory's validated methods should be recorded. Appropriate positive and negative controls should be used and evaluated.

A. Estrogen Receptor and Progesterone Receptor Testing

Scientific rationale: Normal breast epithelial cells have receptors for estrogen and progesterone and proliferate under their influence. Most breast carcinomas also express these receptors and may be stimulated to grow by these hormones. Removal of endogenous hormones by oophorectomy or blocking hormonal action pharmaceutically (eg, with tamoxifen or aromatase inhibitors) can slow or prevent tumor growth and prolong survival.

Clinical rationale: Hormone receptor status is determined primarily to identify patients who may benefit from hormonal therapy.² About 75% to 80% of invasive breast cancers are positive for ER and PgR, including almost all well-differentiated cancers and most moderately differentiated cancers, and studies have shown a substantial survival benefit from endocrine therapy among patients with ER-positive tumors.⁵ True ER-negative, PgR-positive carcinomas are extremely rare, but patients with such tumors are also considered eligible for hormonal therapy. Receptor status is only a weak prognostic factor.

Method: Hormone receptor status is most often determined in formalin-fixed, paraffin-embedded tissue sections by immunohistochemistry (IHC). Only nuclear staining is considered positive. Use of single-gene expression assays are not recommended for routine use.

Quality assurance: There are many tissue and technical variables that can affect test results,^{5,9-11} and the assays must be validated to ensure their accuracy.¹² External proficiency testing surveys for ER and PgR are invaluable tools to help ensure that assays perform as expected, and they are available from the CAP and other organizations.

False-negative results: Failure to detect ER or PgR is the greatest problem with this assay because patients may not receive effective therapy. This may occur if specimen handling was inadequate, if artifacts (crush or edge artifacts) make interpretation difficult, or if the analytic testing failed. To avoid false-negative results, appropriate internal and external controls should be positive. *When a tumor is negative (non-immunoreactive), it is essential that the internal control cells be assessed to ensure that they show positive staining (as expected). If the internal controls are also negative, the test should not be reported as negative but should be considered indeterminate ("Cannot be determined").*⁵ The test should be repeated on another block or specimen.

When a tumor is negative but no internal control cells are present in the test section, the pathologist must exercise judgment as to whether the assay can be interpreted as a true negative. This should include consideration of histologic type and grade, cold ischemia and fixation times, and the status of external controls. If the pathologist decides that hormone receptor status cannot be determined, the test should be reported as such and repeated or performed on another block or specimen.

Reasons for false-negative results include the following:

- Exposure of tumor cells to heat (eg, carcinomas transected by using cautery during surgery)
- Prolonged cold ischemic time, which may result in antigenic degradation. One hour or less is preferable^{13,14}
- Under or overfixation; fixation for at least 6 hours in buffered formalin is recommended,⁵ and prolonged fixation can also diminish immunoreactivity^{11,15}
- Type of fixative: ER is degraded in acidic fixatives such as Bouin's and B-5; formalin should be buffered to ensure pH range between 7.0 and 7.4
- Decalcification, which may result in loss of immunoreactivity⁸
- Nonoptimized antigen retrieval
- Type of antibody
- Dark hematoxylin counterstain obscuring faintly positive diaminobenzidine (DAB) staining

False-positive results: False-positive results occur less frequently.¹⁶ Rare reasons would be the use of an impure antibody that cross-reacts with another antigen or misinterpretation of entrapped normal cells or an in situ component as invasive carcinoma. False-positive tests can also be generated by image analysis devices that mistakenly count overstained nuclei. It has been suggested that highly sensitive assays may detect very low levels of ER in cancers that will not respond to hormonal therapy, but that has not been proven by a clinical trial.

False-negative and false-positive results can be reduced by paying attention to the following:

- Staining of normal breast epithelial cells. Normal epithelial cells serve as a positive internal control and should always be assessed. If the normal cells are negative, repeat studies on the same specimen or on a different specimen should be considered. If normal cells are not present (eg, core biopsy) and the test results are negative, testing should be repeated on another block or subsequent specimen.
- External controls (must stain as expected). These controls help ensure that the reagents have been appropriately dispensed onto the slide with the clinical sample.
- Correlation with histologic type and grade of the cancer. The study should be repeated if the results are discordant (eg, ER-negative low-grade carcinoma).

Reporting guidelines: ASCO and the CAP have issued recommendations for reporting the results of immunohistochemical assays for ER and PgR (Table 1).⁵ Studies using both IHC and the ligand binding assay suggest that patients with higher hormone receptor levels have a higher probability of response to hormonal therapy, but expression as low as 1% positive staining has been associated with clinical response. As a result, the guidelines recommend classifying all cases with at least 1% positive cells as receptor positive.⁵ For patients with low ER expression (1% to 10% weakly positive cells), the decision on endocrine therapy should be based on an analysis of its risks and potential benefits.

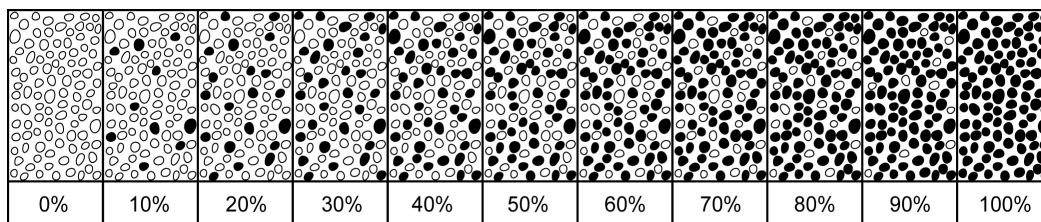
Table 1. Reporting Results of Estrogen Receptor (ER) and Progesterone Receptor (PgR) Testing

Result	Criteria	Comments
Positive	Immunoreactive tumor cells present (≥1%)	The percentage of immunoreactive cells may be determined by visual estimation or quantitation. Quantitation can be provided by reporting the percentage of positive cells or by a scoring system, such as the Allred score or H score.
Negative	<1% immunoreactive tumor cells present	

Definition of a negative result: The ASCO/CAP guidelines recommend that carcinomas with <1% positive cells be considered negative for ER and PgR.⁵ In the Allred system (see Table 2), the survival of patients whose carcinomas had a score of 2 (corresponding to <1% weakly positive cells) was similar to that of patients whose carcinomas were completely negative for ER.¹⁷ Therefore, a score of 2 was considered to be a negative result. Carcinomas with <1% positive cells and intensity scores of 2 or 3 would have a total score of 3 or 4 and be considered positive. These are rare carcinomas, and their response to hormonal therapy has not been specifically studied.

Quantification of ER and PgR: There is a wide range of receptor levels in cancers as shown by the biochemical ligand binding assay and as observed with IHC. Patients whose carcinomas have higher levels have improved survival when treated with hormonal therapy.^{16,17} Quantification systems may use only the proportion of positive cells or may include the intensity of immunoreactivity:

- Number of positive cells: The number of positive cells can be reported as a percentage or within discrete categories (figure).
- Intensity: Refers to degree of nuclear positivity (ie, pale to dark). The intensity can be affected by the amount of protein present, as well as the antibody used and the antigen retrieval system. In most cancers, there is heterogeneous immunoreactivity with pale to darkly positive cells present.



Quantification of Immunohistochemical Findings. The percentage of positive cells can be visually estimated.

Two methods of quantifying ER by using both intensity and percentage of positive cells are the Allred score¹⁷ (Table 2) and the H score¹⁸ (Table 3). The 2 systems classify carcinomas into similar, but not identical, groups.¹⁹ If high-affinity antibodies are used with sensitive detection systems, most carcinomas will fall into clearly positive (score 7 or 8) or clearly negative (score 0) categories by Allred score.^{20,21} A small group of carcinomas (<1% of total) show intermediate levels of immunoreactivity.

Quantitation can also be performed by using the proportion of positive cells. In one study, carcinomas were scored as 0 (<1% positive), 1 (1% to 25% positive), 2 (>25% to 75% positive), and 3 (>75% positive).²² The same results were obtained when scored by visual analysis or by image analysis. The proportion of positive cells correlated with the results of the biochemical assay and with prognosis. In another study, carcinomas with small numbers of positive cells (between 1% and 10%) had a prognosis between cancers with no or rare positive cells (<1%) and cancers with >10% positive cells.¹⁶

Table 2. Allred Score* for Estrogen and Progesterone Receptor Evaluation

Proportion Score	Positive Cells, %	Intensity	Intensity Score
0	0	None	0
1	<1	Weak	1
2	1 to 10	Intermediate	2
3	11 to 33	Strong	3
4	34 to 66		
5	≥67		

* The Allred score combines the percentage of positive cells and the intensity of the reaction product in most of the carcinoma.¹⁷ The 2 scores are added together for a final score with 8 possible values. Scores of 0 and 2 are considered negative. Scores of 3 to 8 are considered positive.

Table 3. H Score* for Estrogen and Progesterone Receptor Evaluation

Calculation of H Score		
Cell Signal	Percentage of Cells	Value Multiplied
Cells with no signal		% x 0 = 0
Cells with weak signal		% x 1 =
Cells with moderate signal		% x 2 =
Cells with strong signal		% x 3 =
Total score =		

* The H score is determined by multiplying the percentage of cells demonstrating each intensity (scored from 0 to 3) and adding the results.¹⁸ There are 300 possible values. In this system, <1% positive cells is considered to be a negative result.

B. HER2 (ERBB2) Testing

Scientific rationale: A subset of breast carcinomas (approximately 15% to 20%) overexpress human epidermal growth factor receptor 2 (HER2; HUGO nomenclature *ERBB2*). Protein overexpression is usually due to gene amplification. Assays for gene copy number, mRNA quantity, and protein generally give similar results; gene amplification correlates with protein overexpression in about 95% of cases. In a small subset of carcinomas (probably <5%), protein overexpression may occur by different mechanisms. Overexpression is both a prognostic and predictive factor.

Clinical rationale: HER2 status is primarily evaluated to determine patient eligibility for anti-HER2 therapy. It may identify patients who have a greater benefit from anthracycline-based adjuvant therapy.

Methods: HER2 status can be determined in formalin-fixed paraffin-embedded tissue by assessing protein expression on the membrane of tumor cells using IHC or by assessing the number of HER2 gene copies using in situ hybridization (ISH). When both IHC and ISH are performed on the same tumor, the results should be correlated. The most likely reason for a discrepancy is that 1 of the assays is incorrect, but in a small number of cases there may be protein overexpression without amplification, amplification without protein overexpression, or marked intratumoral heterogeneity.

HER2 Testing by Immunohistochemistry

Factors altering the detection of HER2 by IHC have not been studied as well as for ER and PgR. It is recommended that tissue be fixed in buffered 10% formalin for at least 6 hours unless another fixative has been validated. External proficiency testing surveys for HER2 are available from the CAP and other organizations. These surveys are invaluable tools to ensure that the laboratory assays are working as expected.

False-positive IHC results for HER2 may be due to:

- Edge artifact. This is usually seen in core biopsies, where cells near the edges of the tissue stain stronger than in the center, possibly because antibody pools at the sides. Specimens with stronger staining at the edge of the tissue should be interpreted with caution.
- Cytoplasmic positivity, which can obscure membrane staining and make interpretation difficult.
- Overstaining (strong membrane staining of normal cells). May be due to improper antibody titration (concentration too high).
- Misinterpretation of ductal carcinoma in situ (DCIS). High-grade DCIS is often HER2 positive. In cases with extensive DCIS relative to invasive carcinoma (particularly microinvasive carcinoma), HER2 scoring may mistakenly be done on the DCIS component. Care must be taken to score only the invasive component.

False-negative IHC results for HER2 may be due to:

- Prolonged cold ischemia time.
- Tumor heterogeneity. When a negative result is found, but only a small biopsy sample was tested, repeat testing on a subsequent specimen with a larger area of carcinoma should be considered, particularly if the tumor has characteristics associated with HER2 positivity (ie, tumor grade 2 or 3, weak or negative PgR expression, increased proliferation index).
- Improper antibody titration (concentration too low)

False-negative and false-positive results can be reduced by paying attention to the following:

- Tissue controls. External controls must stain as expected. There are no normal internal controls for HER2 protein assessment by IHC.
- Correlation with histologic and other biomarker results. If the HER2 test is negative by IHC, but the tumor has characteristics associated with HER2 positivity (see above), repeating the test by ISH should be considered.

Reporting guidelines: ASCO and CAP have issued recently updated recommendations for reporting the results of HER2 testing by IHC (Table 4).^{6,7}

Table 4. Reporting Results of HER2 Testing by Immunohistochemistry (IHC)

Result	Criteria
Negative (Score 0)	No staining observed or Incomplete, faint/barely perceptible membrane staining in ≤10% of invasive tumor cells
Negative (Score 1+)	Incomplete, faint/barely perceptible membrane staining in >10% of invasive tumor cells*
Equivocal (Score 2+)†	Incomplete and/or weak to moderate circumferential membrane staining in >10% of invasive tumor cells or Complete, intense, circumferential membrane staining in ≤10% of invasive tumor cells*
Positive (Score 3+)	Complete, intense, circumferential membrane staining in >10% of invasive tumor cells*

* Readily appreciated using a low-power objective and observed within a homogeneous and contiguous population of invasive tumor cells.

† Must order reflex in situ hybridization test (same specimen) or new test (new specimen if available, using immunohistochemistry or in situ hybridization).

HER2 Testing by In Situ Hybridization

Fluorescence in situ hybridization (FISH), chromogenic in situ hybridization (CISH), and silver-enhanced in situ hybridization (SISH) studies for *HER2* determine the presence or absence of gene amplification. Some assays use a single probe to determine the number of *HER2* gene copies present, but most assays include a chromosome enumeration probe (CEP17) to determine the ratio of *HER2* signals to copies of chromosome 17. Although 10% to 50% of breast carcinomas have more than 2 CEP17 copies, only 1% to 2% of carcinomas show true polysomy (ie, duplication of the entire chromosome).

Failure to obtain results with ISH may be due to the following:

- Prolonged fixation in formalin (>1 week)²³
- Fixation in non-formalin fixatives²⁴
- Procedures or fixation involving acid (eg, decalcification) may degrade DNA²⁵
- Insufficient protease treatment of tissue

External proficiency testing surveys for *HER2* by ISH are available from CAP and other organizations. These surveys are invaluable tools to ensure that the laboratory assays are working as expected.

Reporting guidelines: ASCO and CAP have issued recently updated recommendations for reporting the results of *HER2* testing by ISH (Tables 5 and 6).^{6,7}

Table 5. Reporting Results of *HER2* Testing by In Situ Hybridization (single-probe assay)

Result	Criteria
Negative (not amplified)	Average <i>HER2</i> copy number <4.0 signals/cell
Equivocal*	Average <i>HER2</i> copy number ≥4.0 and <6.0 signals/cell†
Positive (amplified)	Average <i>HER2</i> copy number ≥6.0 signals/cell†

* Must order reflex in situ hybridization test (same specimen) or new test (new specimen, if available, using immunohistochemistry or in situ hybridization).

† Observed in a homogeneous and contiguous population of ≥10% of invasive tumor cells.

Table 6. Reporting Results of HER2 Testing by In Situ Hybridization (dual-probe assay)

Result	Criteria
Negative (not amplified)	<i>HER2/CEP17</i> ratio <2.0 AND average HER2 copy number <4.0 signals/cell
Equivocal*	<i>HER2/CEP17</i> ratio <2.0 AND average HER2 copy number ≥4.0 but <6.0 signals/cell†
Positive (amplified)	<i>HER2/CEP17</i> ratio ≥2.0† (regardless of average HER2 copy number) or Average HER2 copy number ≥6.0 signals/cell† (regardless of ratio)

* Must order a reflex test (same specimen using immunohistochemistry), test with alternative in situ hybridization chromosome 17 probe, or order a new test (new specimen if available, using immunohistochemistry or in situ hybridization).

† Observed in a homogeneous and contiguous population of ≥10% of invasive tumor cells.

Important issues in interpreting ISH are the following:

- Identification of invasive carcinoma: A pathologist should identify on the hematoxylin and eosin (H&E) or HER2 IHC slide the area of invasive carcinoma to be evaluated by ISH.
- Identification of associated DCIS: In some cases, DCIS will show gene amplification, whereas the associated invasive carcinoma will not. ISH analysis must be performed on the invasive carcinoma.

Some cancers have a low level of HER2 expression as determined by equivocal results by both IHC and ISH analysis. Repeat testing may be helpful to exclude possible technical problems with the assays but often does not result in definitive positive or negative results.

Either the number of *HER2* genes or the ratio of *HER2* to *CEP17* can be used to determine the presence of amplification. In the majority of carcinomas, both methods give the same result. In unusual cases, the 2 methods give different results, usually due to variation in the number of *CEP17* signals. Some studies have shown that chromosome 17 abnormalities can lead to alterations of the *HER2/CEP17* ratio, potentially leading to equivocal or incorrect ISH results.²⁶ In such cases, gene copy number may be a more accurate reflection of HER2 status. If there is a second contiguous population of cells with increased HER2 signals/cell, and this cell population consists of more than 10% of tumor cells on the slide (defined by image analysis or by visual estimation of the ISH or IHC slide), a separate counting of at least 20 non-overlapping cells must also be done within this cell population and also reported. An overall random count is not appropriate in this situation.

C. Ki-67 Testing

Ki-67 is a nuclear protein found in all phases of the cell cycle and is a marker of cell proliferation. The monoclonal antibody MIB-1 is the most commonly used antibody for assessing Ki-67 in formalin-fixed paraffin-embedded tissue sections. The percentage of Ki-67 positive tumor cells determined by IHC is often used to stratify patients into good and poor prognostic groups, but there is a lack of consensus on scoring, definition of low versus high expression, an appropriate cut point for positivity, or which part of the tumor should be scored (eg, leading edge, hot spots, overall average).²⁷ There is also a paucity of data on the effects of preanalytic variables (eg, ischemic time, length of fixation, antigen retrieval) on Ki-67 staining. For these reasons, routine testing of breast cancers for Ki-67 expression is not currently recommended by either ASCO or the National Comprehensive Cancer Network (NCCN).

D. Multigene Expression Assays

Scientific rationale: Breast cancers vary greatly in histologic appearance, expression of biomarkers, response to treatment, and prognosis. Assays that detect variations in gene expression by mRNA levels have confirmed the diversity of gene expression patterns underlying these observations.

Clinical rationale: It may be possible to use multigene expression assays to identify specific tumor subtypes and improve our ability to assess prognosis and likelihood of response to specific treatments.²⁸

Methods: A variety of multigene and multiprotein expression assays are available, most of which are proprietary assays developed and performed by a single laboratory. Multigene assays detect gene expression patterns by quantitative reverse transcriptase polymerase chain reaction (RT-PCR) or by hybridization of labeled nucleic acids derived from the tumor to a number of small, immobilized, synthetic DNA strands (microarrays). Using these methods, numerous gene products can be examined simultaneously in the same sample. Some of the assays have been optimized for use on formalin-fixed tissue, while others require frozen tissue.

Reporting guidelines: Pathologists may choose to incorporate results of proprietary assays into their own reports if this would make the information more accessible for patient care.

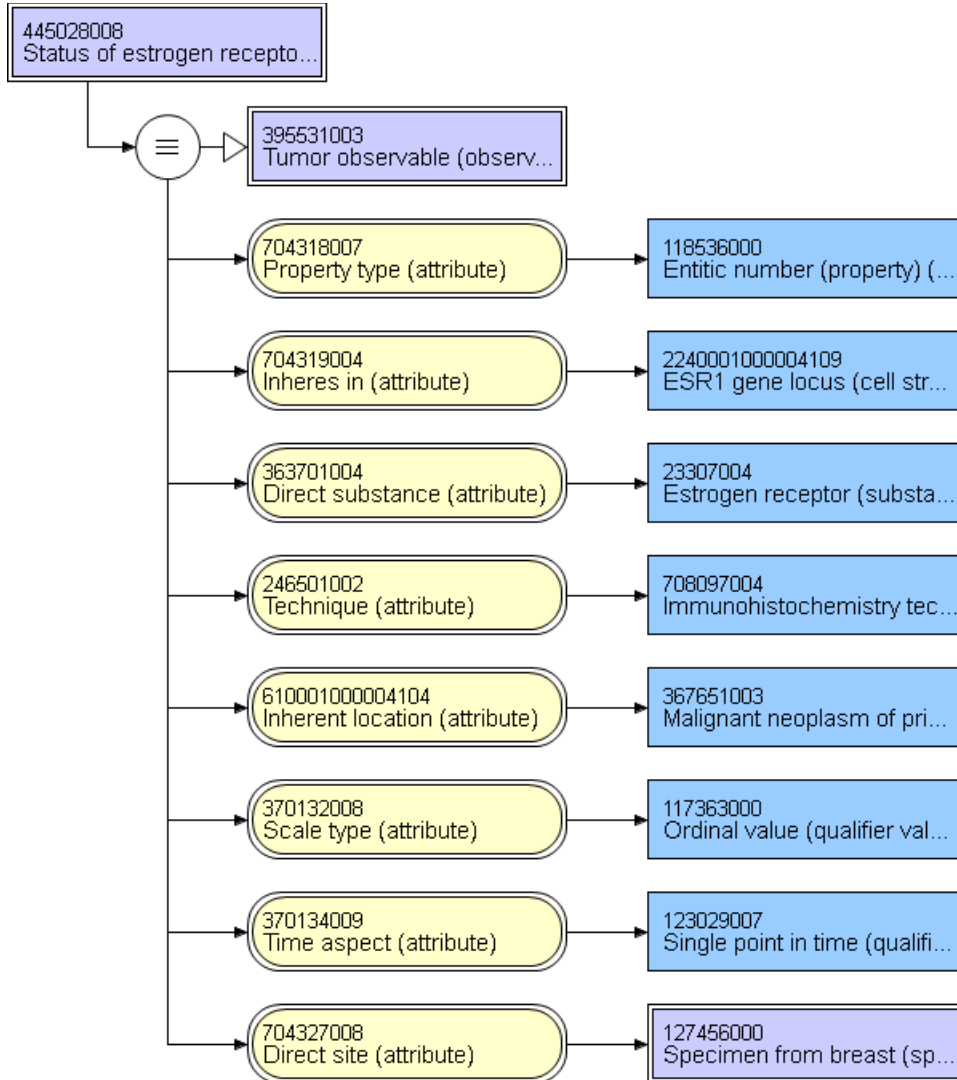
References

1. National Comprehensive Cancer Network (NCCN) Clinical Practice Guideline in Oncology, Version 3.2013. www.nccn.org/professionals/physician_gls/PDF/breast.pdf. Accessed July 23, 2013.
2. Harris L, Fritsche H, Mennel R, et al. American Society of Clinical Oncology 2007 update of recommendations for the use of tumor markers in breast cancer. *J Clin Oncol*. 2007;25(33):1-26.
3. Pusztai L, Viale G, Kelly CM, Hudis CA. Estrogen and HER-2 receptor discordance between primary breast cancer and metastasis. *Oncologist*. 2010;15(11):1164-1168.
4. Arslan C, Sari E, Aksoy S, Altundag K. Variation in hormone receptor and HER-2 status between primary and metastatic breast cancer: review of the literature. *Expert Opin Ther Targets*. 2011;15(1):21-30.
5. Hammond ME, Hayes DF, Dowsett M, et al. American Society of Clinical Oncology/College of American Pathologists guideline recommendations for immunohistochemical testing of estrogen and progesterone receptors in breast cancer. *Arch Pathol Lab Med*. 2010;134(6):907-922.
6. Wolff AC, Hammond ME, Schwartz JN, et al. American Society of Clinical Oncology/College of American Pathologists guideline recommendations for human epidermal growth factor receptor 2 testing in breast cancer. *Arch Pathol Lab Med*. 2007;131(1):18-43.
7. Wolff AC, Hammond ME, Hicks DG, et al. Recommendations for human epidermal growth factor receptor 2 testing in breast cancer: American Society of Clinical Oncology - College of American Pathologists (ASCO/CAP) Clinical Practice Guideline Update (2013). *Arch Pathol Lab Med*. In press.
8. Arber JM, Arber DA, Jenkins KA, Battifora H. Effect of decalcification and fixation in paraffin-section immunohistochemistry. *Appl Immunohistochem*. 1996;4:241-248.
9. Yaziji H, Taylor CR, Goldstein NS, et al. Consensus recommendations on estrogen receptor testing in breast cancer by immunohistochemistry. *Appl Immunohistochem Mol Morphol*. 2008;16(6):513-520.
10. Allred DC. Problems and solutions in the evaluation of hormone receptors in breast cancer. *J Clin Oncol*. 2008;26(15):2433-2435.
11. Arber DA. Effect of prolonged formalin fixation on the immunohistochemical reactivity of breast markers. *Appl Immunohistochem Mol Morphol*. 2002;10(2):183-186.
12. Fitzgibbons PL, Murphy DA, Hammond EH, Allred DC, Valenstein PN. Recommendations for validating estrogen and progesterone receptor immunohistochemistry assays. *Arch Pathol Lab Med*. 2010;134(6):930-935.

13. Yildiz-Aktas IZ, Dabbs DJ, Bhargava R. The effect of cold ischemic time on the immunohistochemical evaluation of estrogen receptor, progesterone receptor, and HER2 expression in invasive breast carcinoma. *Mod Pathol*. 2012;25(8):1098-1105.
14. Neumeister VM, Anagnostou V, Siddiqui S, et al. Quantitative assessment of effect of preanalytic cold ischemic time on protein expression in breast cancer tissues. *J Natl Cancer Inst*. 2012;104(23):1815-1824.
15. Oyama T, Ishikawa Y, Hayashi M, et al. The effects of fixation, processing and evaluation criteria on immunohistochemical detection of hormone receptors in breast cancer. *Breast Cancer*. 2007;14(2):182-188.
16. Viale G, Regan MM, Maiorano E, et al. Prognostic and predictive value of centrally reviewed expression of estrogen and progesterone receptors in a randomized trial comparing letrozole and tamoxifen adjuvant therapy for postmenopausal early breast cancer: BIG 1-98. *J Clin Oncol*. 2007;25(25):3846-3852.
17. Harvey JM, Clark GM, Osborne CK, et al. Estrogen receptor status by immunohistochemistry is superior to the ligand binding assay for predicting response to adjuvant endocrine therapy in breast cancer. *J Clin Oncol*. 1999;17(5):1474-1481.
18. McCarty KS Jr, Miller LS, Cox EB, et al. Estrogen receptor analyses: correlation of biochemical and immunohistochemical methods using monoclonal antireceptor antibodies. *Arch Pathol Lab Med*. 1985;109(8):716-721.
19. Shousha S. Oestrogen receptor status of breast carcinoma: Allred/H score conversion table. *Histopathology*. 2008;53(3):346-347.
20. Collins LC, Botero ML, Schnitt SJ. Bimodal frequency distribution of estrogen receptor immunohistochemical staining results in breast cancer: an analysis of 825 cases. *Am J Clin Pathol*. 2005;123(1):16-20.
21. Nadji M, Gomez-Fernandez C, Ganjei-Azar P, Morales AR. Immunohistochemistry of estrogen and progesterone receptors reconsidered: experience with 5,993 breast cancers. *Am J Clin Pathol*. 2005;123(1):21-27.
22. Turbin DA, Leung S, Cheang MC, et al. Automated quantitative analysis of estrogen receptor expression in breast carcinoma does not differ from expert pathologist scoring: a tissue microarray study of 3,484 cases. *Breast Cancer Res Treat*. 2008;110(3):417-426. Epub 2007 Oct 3.
23. Selvarajan S, Bay B-H, Choo A, et al. Effect of fixation period on HER2/neu gene amplification detected by fluorescence in situ hybridization in invasive breast carcinoma. *J Histochem Cytochem*. 2002;50(12):1693-1696.
24. Willmore-Payne C, Metzger K, Layfield LJ. Effects of fixative and fixation protocols on assessment of Her-2/neu oncogene amplification status by fluorescence in situ hybridization. *Appl Immunohistochem Mol Morphol*. 2007;15(1):84-87.
25. Brown RS, Edwards J, Bartlett JW, Jones C, Dogan A. Routine acid decalcification of bone marrow samples can preserve DNA for FISH and CGH studies in metastatic prostate cancer. *J Histochem Cytochem*. 2002;50(1):113-115.
26. Gunn S, Yeh IT, Lytvak I, et al. Clinical array-based karyotyping of breast cancer with equivocal HER2 status resolves gene copy number and reveals chromosome 17 complexity. *BMC Cancer*. 2010;10:396.
28. Dowsett M, Nielsen TO, A'Hern R, et al. Assessment of Ki67 in breast cancer: recommendations from the International Ki67 in breast cancer working group. *J Natl Cancer Inst*. 2011;103(22):1656-1664.
29. Ross JS, Hatzis C, Symmans WF, Pusztai L, Hortobagyi GN. Commercialized multigene predictors of clinical outcome for breast cancer. *Oncologist*. 2008;13(5):477-493.

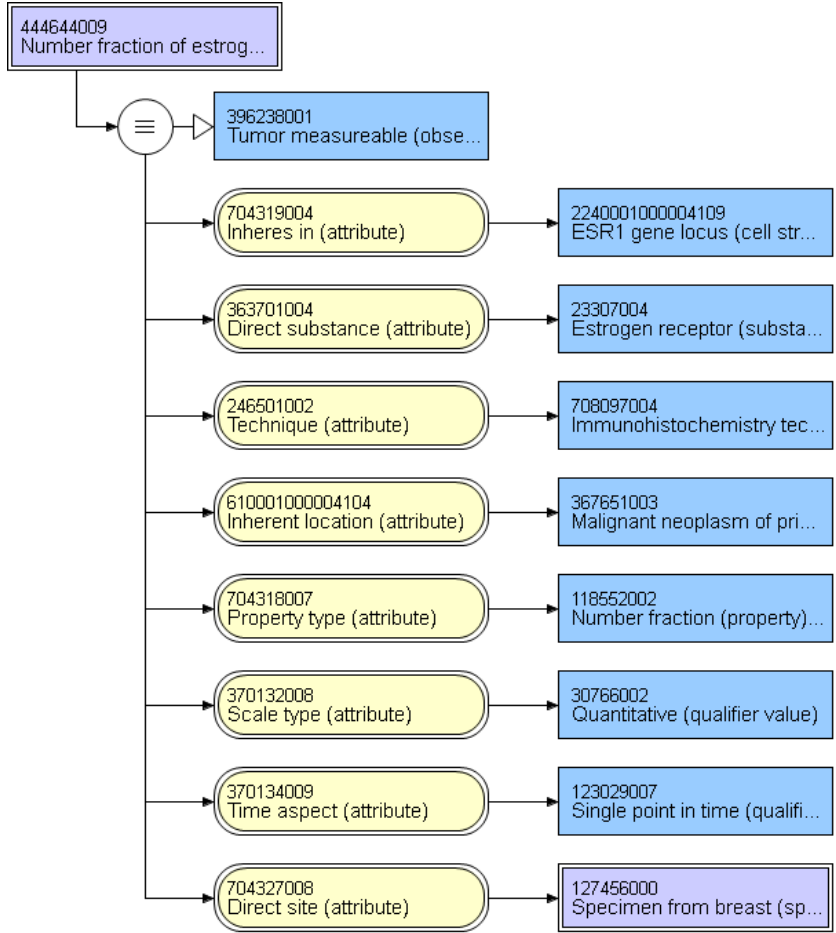
85337-4 - Estrogen receptor Ag [Presence] in Breast cancer specimen by Immune stain

Positive	10828004	Positive (qualifier value)
Negative	260385009	Negative (qualifier value)
Cannot be determined	82334004	Indeterminate (qualifier value)



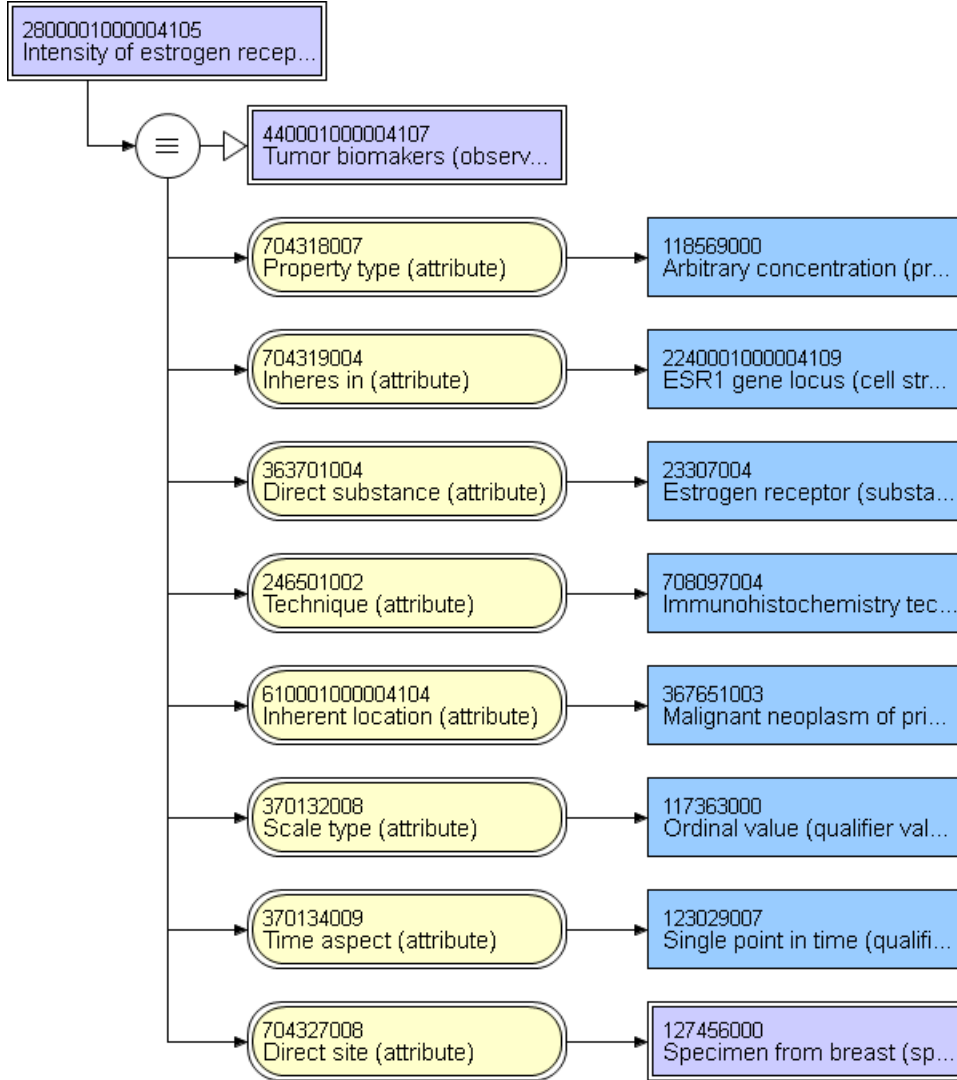
85329-1 - Cells.estrogen receptor/100 cells in Breast cancer specimen by Immune stain

	%	258755000	% of total (qualifier value)
--	---	-----------	------------------------------



85310-1 - Estrogen receptor fluorescence intensity [Type] in Breast cancer specimen by Immune stain

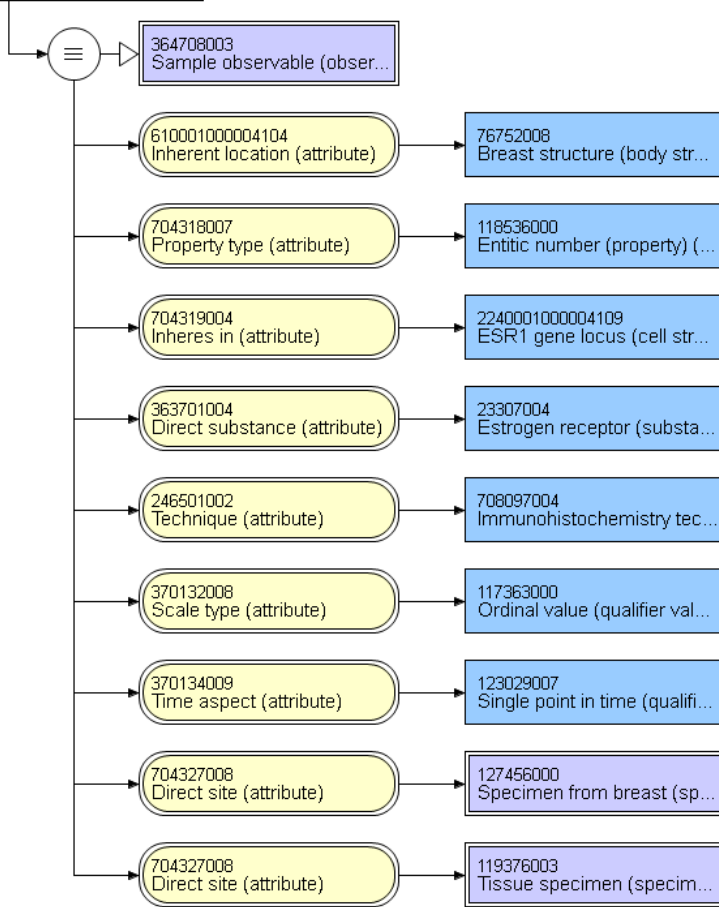
Weak	260407003 Weak (qualifier value)
Moderate	4470001000004101 Moderate (qualifier value)
Strong	260404005 Strong (qualifier value)



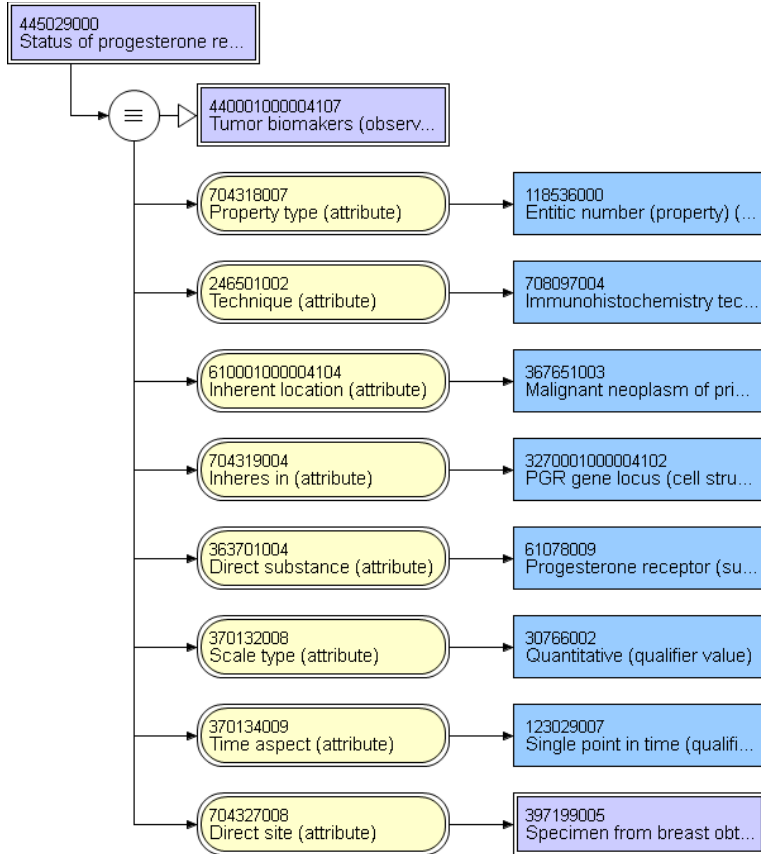
40556-3 - Estrogen receptor Ag [Presence] in Tissue by Immune stain

	Present, normal stain	17621005 Normal (qualifier value)
	Present, no immunoreactivity	264914002 Receptor abnormality (qualifier value)
	Absent	2667000 Absent (qualifier value)

4600001000004108
Status of staining of estro...

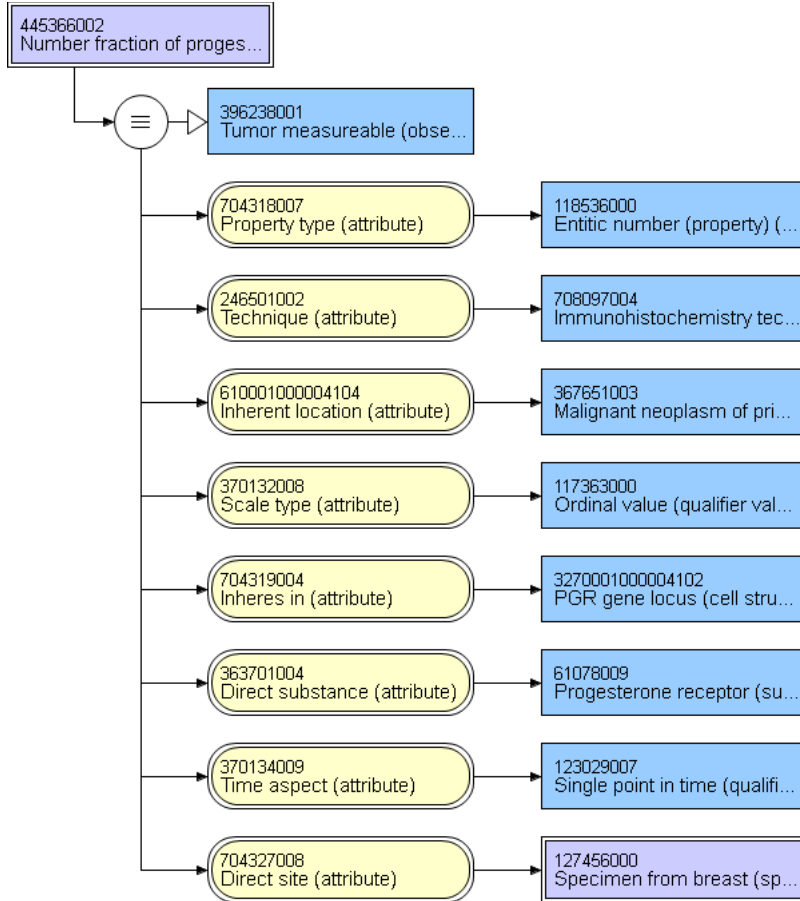


85339-0 - Progesterone receptor Ag [Presence] in Breast cancer specimen by Immune stain			
	Positive	10828004	Positive (qualifier value)
	Negative	260385009	Negative (qualifier value)
	Cannot be determined	82334004	Indeterminate (qualifier value)

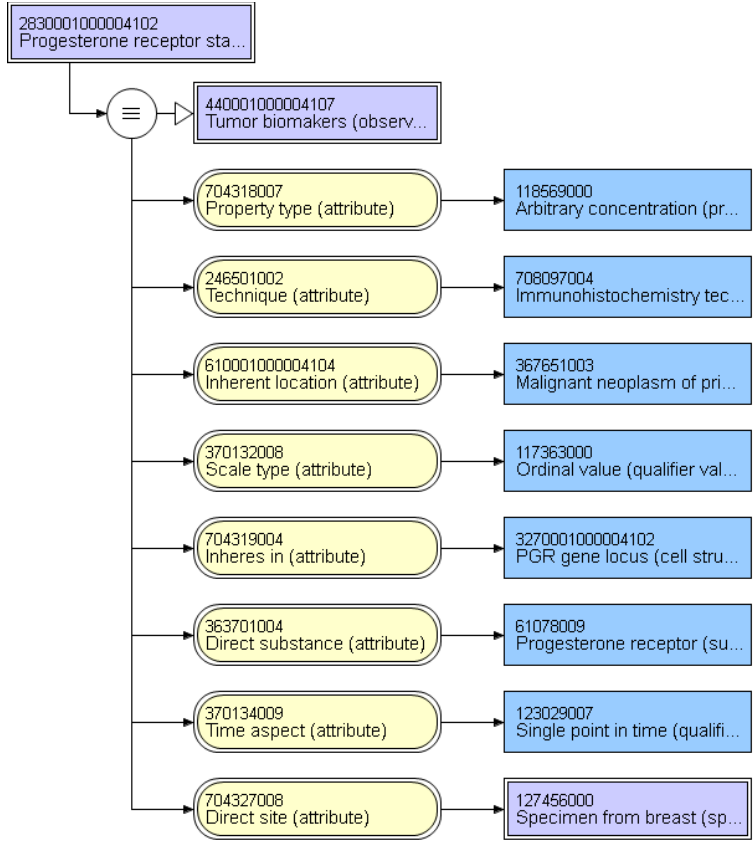


85325-9 - Cells.progesterone receptor/100 cells in Breast cancer specimen by Immune stain

	%	
--	---	--

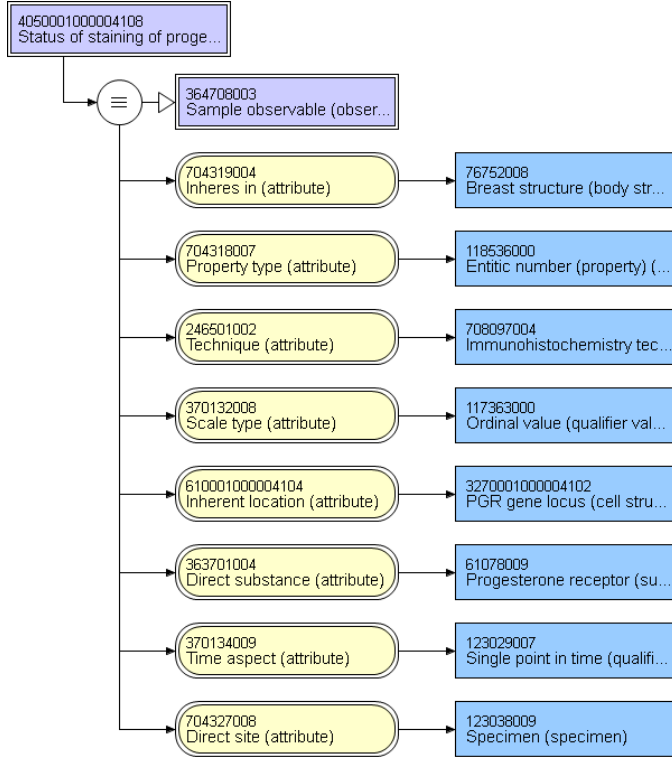


85331-7 - Progesterone receptor fluorescence intensity [Type] in Breast cancer specimen by Immune stain		
	Weak	260407003 Weak (qualifier value)
	Moderate	4470001000004101 Moderate (qualifier value)
	Strong	260404005 Strong (qualifier value)

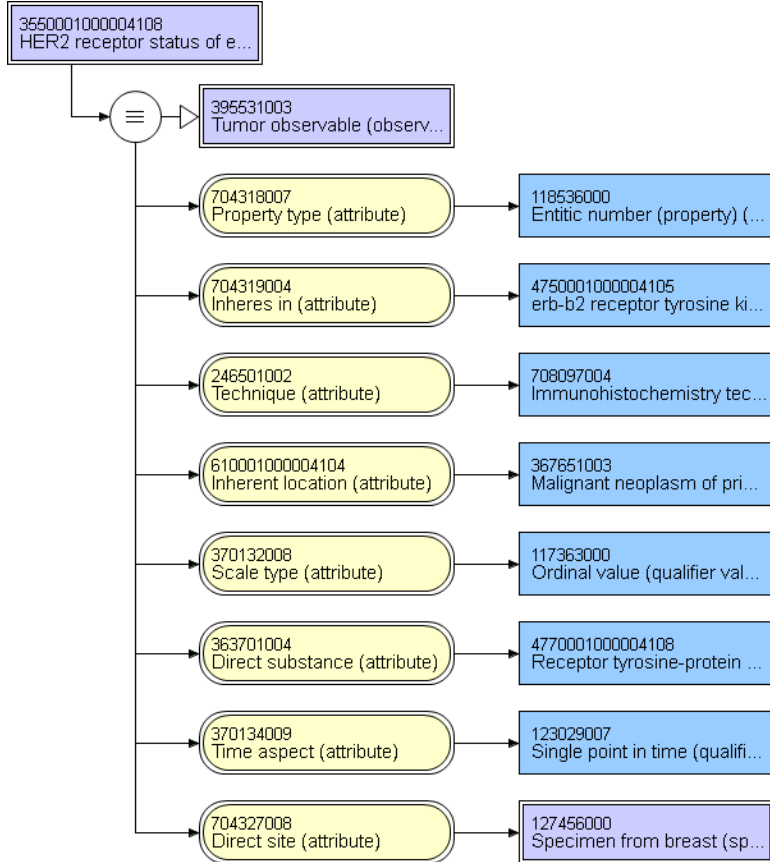


40557-1 - Progesterone receptor Ag [Presence] in Tissue by Immune stain

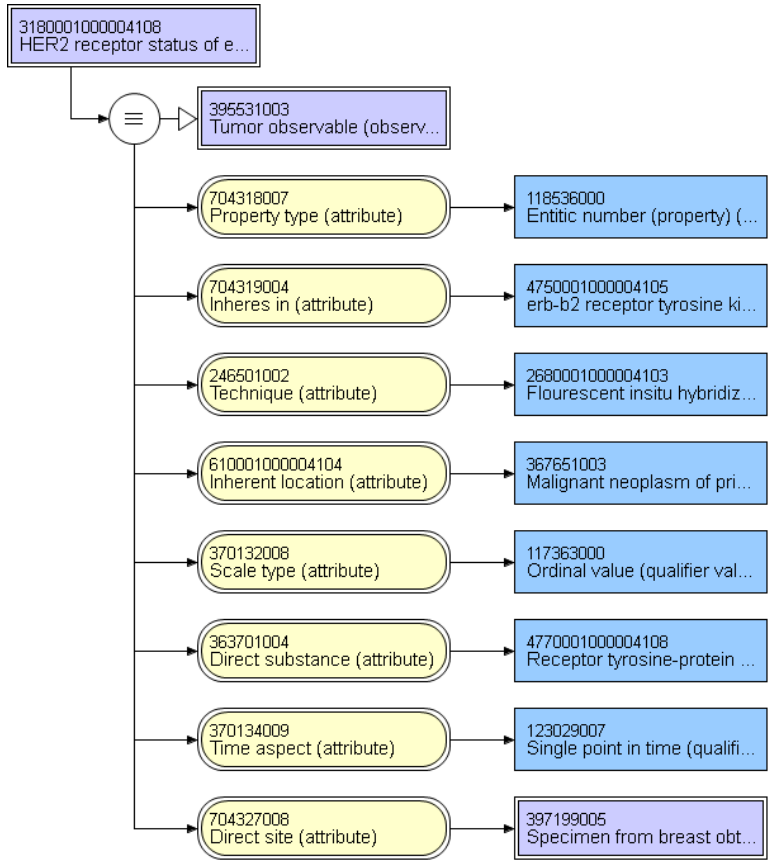
	Present, normal stain	17621005 Normal (qualifier value)
	Present, no immunoreactivity	264914002 Receptor abnormality (qualifier value)
	Absent	2667000 Absent (qualifier value)



85319-2 - HER2 [Presence] in Breast cancer specimen by Immune stain			
	Negative (Score 0)	260385009	Negative (qualifier value)
	Negative (Score 1+)	260407003	Weak (qualifier value)
	Equivocal (Score 2+)	42425007	Equivocal (qualifier value)
	Positive (Score 3+)	10828004	Positive (qualifier value)
	Not performed	262008008	Not performed (qualifier value)
	Indeterminate (explain):	82334004	Indeterminate (qualifier value)



85318-4 - HER2 [Presence] in Breast cancer specimen by Fluorescent in situ hybridization (FISH)		
	Negative (not amplified)	260385009 Negative (qualifier value)
	Equivocal	42425007 Equivocal (qualifier value)
	Positive (amplified)	10828004 Positive (qualifier value)
	Not performed	262008008 Not performed (qualifier value)
	Indeterminate (explain):	82334004 Indeterminate (qualifier value)



85330-9 - Cells.Ki-67 nuclear Ag/100 cells in Breast cancer specimen by Immune stain

%

2580001000004105
Percentage of nuclear stai...

